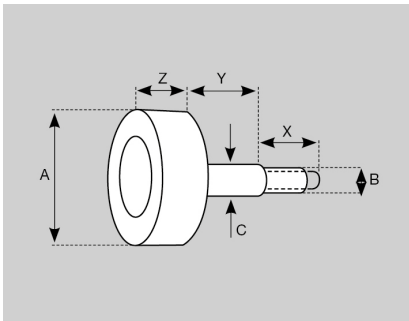




Einbaumagnete, Verschlussüberwachung, Verschluss- und Öffnungsüberwachung Recess mount magnets, lock state monitoring, lock and opening state monitoring

100 65 MD



Technische Daten Specifications

A	10,9 mm 10.9 mm
B	M5
C	5,5 mm 5.5 mm
X	4,0 mm 4.4 mm
Y	8,8 mm 8.8 mm
Z	6,0 mm 6.0 mm
Magnetmaterial Magnet material	DYM / Messing DYM / Brass

Produktvarianten Product versions

Bezeichnung Description	Art. Nr. Art. no.	A	B	C	X	Y	Z	Material	Preisliste Kapitel Price list chapter
100 65 MD	1301529	10,9 mm	M5	5,5 mm 5.5 mm	4,0 mm 4.0 mm	8,8 mm 8.8 mm	6,0 mm 6.0 mm	DYM / Messing DYM / Brass	7.3
100 66 MD	1301530	10,9 mm	M5	5,5 mm 5.5 mm	4,0 mm 4.0 mm	5,2 mm 5.2 mm	7,6 mm 7.6 mm	DYM / Messing DYM / Brass	7.3
100 67 MD	1301531	10,9 mm	M5	5,5 mm 5.5 mm	4,0 mm 4.0 mm	2,8 mm 2.8 mm	8,0 mm 8.0 mm	DYM / Messing DYM / Brass	7.3
100 68 MD	1301532	10,9 mm	4,1	5,5 mm 5.5 mm	4,5 mm 4.5 mm	2,8 mm 2.8 mm	8,0 mm 8.0 mm	DYM / Messing DYM / Brass	7.3
100 57 MD	1304360	10,9 mm	M6	6,5 mm 6.5 mm	4,0 mm 4.0 mm	2,8 mm 2.8 mm	6,0 mm 6.0 mm	DYM / Messing DYM / Brass	7.3